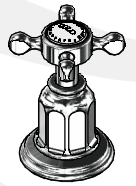
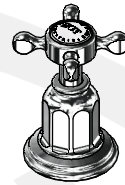
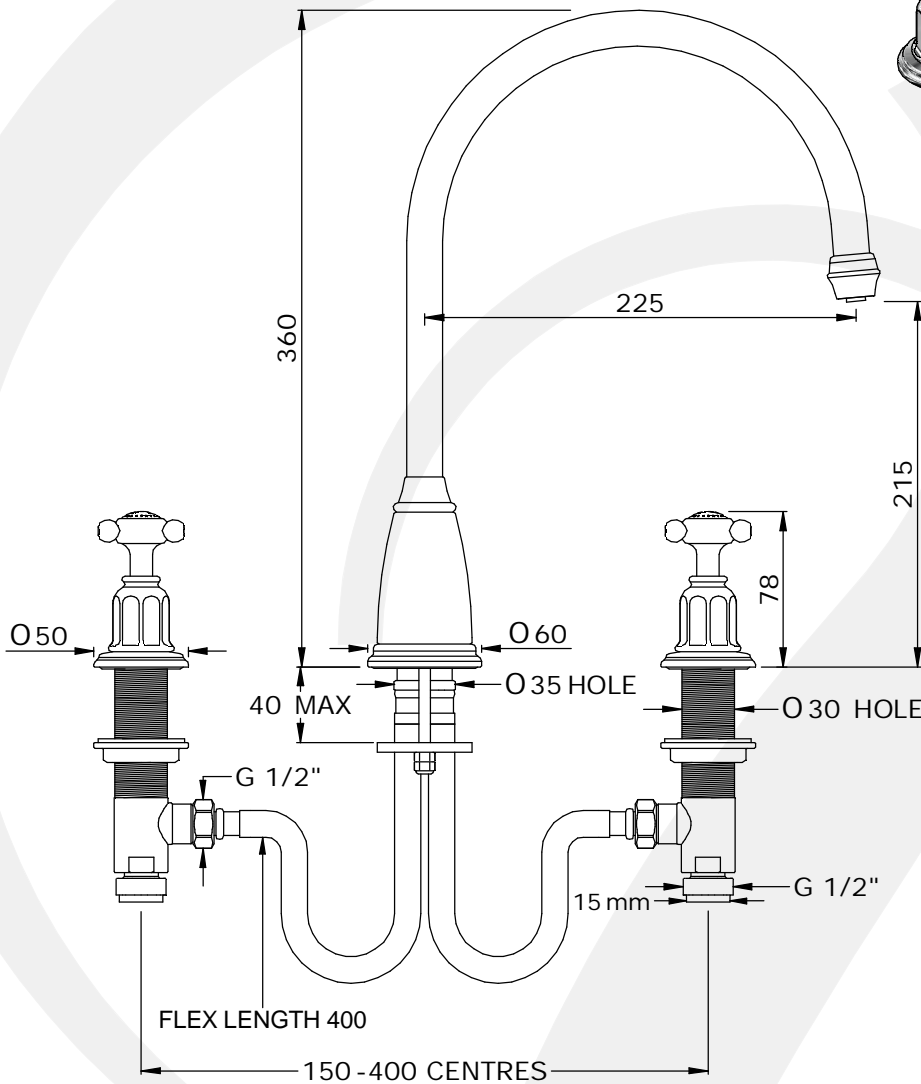


# • SPECIFICATION •

## • 4370 - ATHENIAN THREE HOLE SINK MIXER WITH CROSSHEAD HANDLES

- Handcrafted in the UK
- 1/4 turn ceramic disc flow control
- Vernier insert for accurate handle alignment
- Unique handle construction with integral bearing ring
- Flexible connectors for easier installation
- Bi-flow spout for unequal supply pressures



ALL UNITS IN MM  
UNLESS OTHERWISE  
STATED

### Available Finishes:

- Chrome
- Nickel
- Pewter
- Polished Brass
- Satin Brass
- Aged Brass
- Gold
- English Bronze

### Temp Range:

Min 1°C / 34°F  
Max 70°C / 158°F

### Recommended Working Pressure:

Min 0.5bar / 7psi  
Max 5bar / 75psi

• Packed Weight:  
3.7kg

### Available Options:

- Aerated single flow spout (Prefix A.)
- 5.7L/min regulated spout (Prefix AR.)
- Rinse version
- Matching soap dispensers

### Flow Rates:

- 1 Bar: 12.0 L/Min
- 2 Bar: 18.8 L/Min
- 3 Bar: 20.4 L/Min